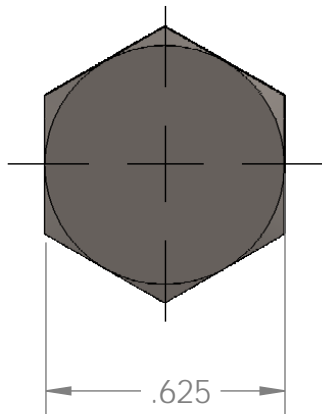
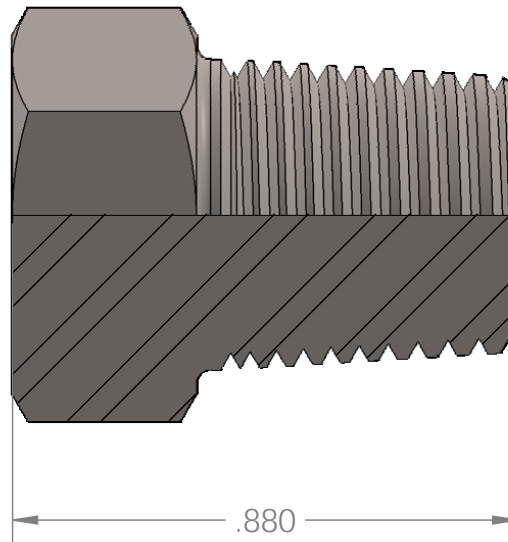
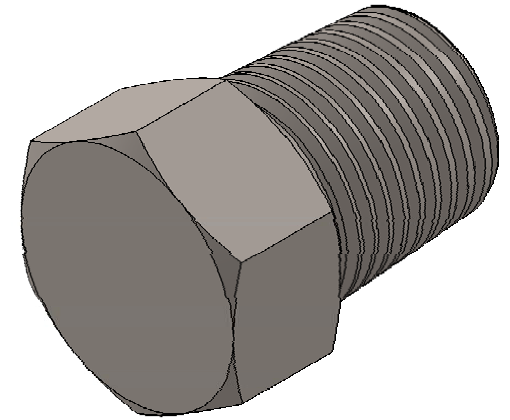




ultraPressure components

We can handle Pressure



1/4" MALE NPT PLUG

MATERIAL	316L S.S.
SEALS	NONE
WORKING PRESSURE	15,000 PSI

SIZE
A

DWG. NO.
5406P-4N_cust

REV
0

SHEET 1 OF 1